

Client _____ Quantity _____
 Project _____ Position _____

FUN 700

Model: F70/80GRLI/T

Cod: MP01452113008



Technical data

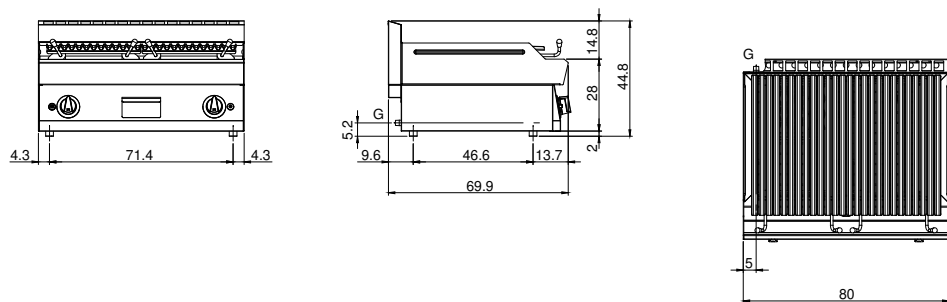
Modularity:	Top
Dimension (mm):	800x700x300
Total gas power (Kcal/h):	12898
Total gas power (kW):	15
Cooking zone dimensions 1 (LxD mm):	n°2 681.101.13 (184x mm)
Cooking zone dimensions 2 (LxD mm):	n°2 681.101.13 (184x mm)
Gas connection:	1/2"
Net volume (m3):	0,17
Packing dimensions (mm):	880x856x509
Gross weight (kg):	64,5
Gross volume (m3):	0,383

Features

Grill:	In stainless steel
Working top:	Made of AISI 304 stainless steel with a thickness of 10/10 mm
Knobs:	Knobs are made from a sturdy heat-resistant polymer blend and are equipped with liquid anti-leakage washer
Liquid collection container:	Removable and dishwasher safe
Kit Gas:	Natural gas conversion kit 30/50 m/bar (tested with natural gas G20)

Gas lava stone grill top version Top made of AISI 304 stainless steel thickness 8/10; covering in AISI 304 stainless steel thickness 8/10; external reinforcements made of anti-corrosion material (aluminised sheet metal); bottoms and internal parts in AISI 430 steel; flue cover in enamelled steel. Equipped with two independent cooking zones. Hob grill with V-shaped profiles in AISI 304 stainless steel. Pull-out tray for collection of residual fats. Stainless steel burners with pilot burner with piezoelectric ignition. Gas supplied by means of safety valve with thermocouple. Lever-controlled grill raising mechanism to control distance of grill from brazier. - 2 burners x 7.5 kW and - Total power 15 kW

Technical draw



G: Gas connection 1/2"