



Client \_\_\_\_\_ Quantity \_\_\_\_\_  
Project \_\_\_\_\_ Position \_\_\_\_\_

## FUN 700

Model: F70/40BME/A

Cod: MP01252123001

### Technical data

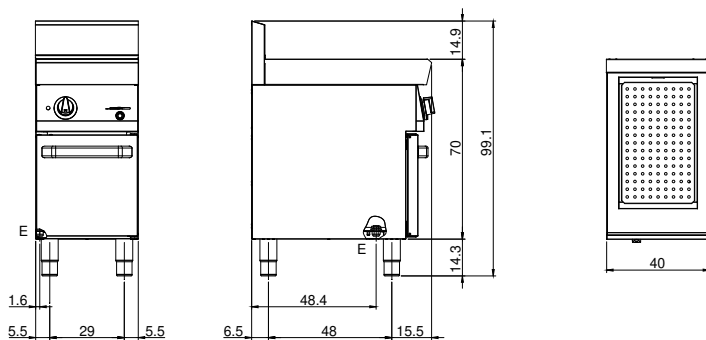
Modularity:	On open cabinet
Dimension (mm):	400x700x850
Total electric power (kW):	1,5
Nr. Wells:	1
Well litres 1:	16
Well dimensions 1 (mm):	305x510x155
Electric power (V):	220-240
Ampere (A):	7
Phases:	1
Cable section (mmq):	3G1,5
Frequency (Hz):	50-60
Drain size:	1/2"
Net volume (m3):	0,238
Packing dimensions (mm):	477x776x1147
Gross weight (kg):	37
Gross volume (m3):	0,425

### Features

Working top:	Made of AISI 304 stainless steel with a thickness of 10/10 mm
Knobs:	Knobs are made from a sturdy heat-resistant polymer blend and are equipped with liquid anti-leakage washer
Water inflow:	Manual input

Electric bain-marie on open cabinet, 1 tub GN 1/1 h. 15 cm. Top and tub in AISI 304 stainless steel; covering in AISI 304 stainless steel thickness 8/10; external reinforcements made of anti-corrosion material (aluminised sheet metal); bottoms and internal parts in AISI 430 steel. Tub dimensions are GN 1/1 h. 150 mm. Equipped with a control for water drainage by means of ball cock located on the control panel. Heating occurs by means of shielded heating elements which are thermostat controlled in a range of use from 30 to 90°C. Equipped with indicator light to signal proper operation. - 1 false bottom included. - 1 heating element x 1.5 kW. Electrical power supply VAC 230+1 50÷60 Hz. (Bowls not included).

### Technical draw



E: Electric power