



Client _____ Quantity _____
 Project _____ Position _____

FUN 700

Model: F70/40CPG/1V40/P

Cod: MP01212113000

Technical data

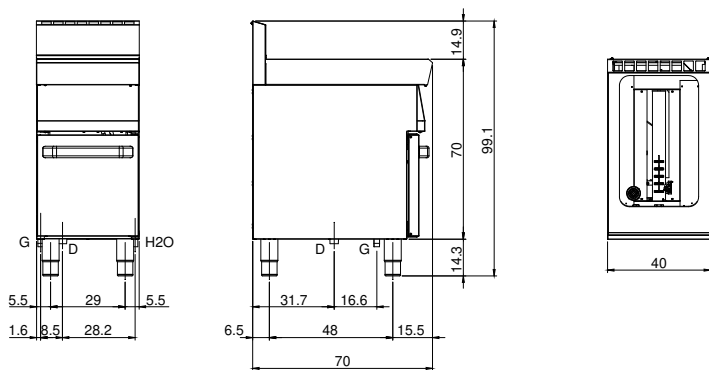
Modularity:	On open cabinet
Dimension (mm):	400x700x850
Total gas power (Kcal/h):	10147
Total gas power (kW):	11,8
Nr. Wells:	1
Well litres 1:	40
Well dimensions 1 (mm):	306x508x296
Gas connection:	1/2"
Cold water inflow:	1/2"
Cold water pressure (bar):	Max pressure 5 bar
Drain size:	1"
Net volume (m3):	0,238
Packing dimensions (mm):	477x776x1147
Gross weight (kg):	50
Gross volume (m3):	0,425

Features

Working top:	Made of AISI 304 stainless steel with a thickness of 10/10 mm
Knobs:	Knobs are made from a sturdy heat-resistant polymer blend and are equipped with liquid anti-leakage washer
Water inflow:	With tap
Kit Gas:	Natural gas conversion kit 30/50 m/bar (tested with natural gas G20)

Gas pasta cooker 1 tub with capacity of 40 lt. The top and the basket support are made of AISI 304 stainless steel; the tub is made of AISI 316 stainless steel. covering in AISI 304 stainless steel thickness 8/10; bottoms and internal parts in AISI 430 steel. The tub has dimensions GN 1/1 and a capacity of 40 lt. Equipped with safety device to eliminate suspended starches and avoid water overflow. All units are provided with water draining and filling controls located on the front panel. Burner in stainless steel with piezoelectric ignition pilot burner located under the tub. Gas is supplied by means of a safety valve with thermocouple. - 1 burner x 11.8 kW. (Baskets not included).

Technical draw



G: Gas connection 1/2"

D: Drain for water

H2O: Water inflow 3/4"