



Client _____ Quantity _____

Project _____ Position _____

FUN 700

Model: F70/70FTG/SLR/T

Cod: MP01372113036

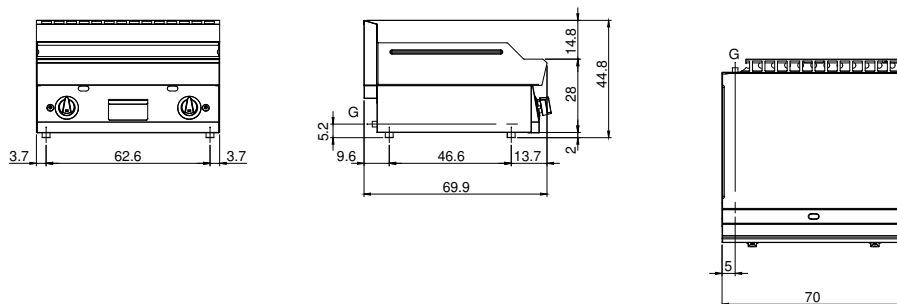
Technical data

Modularity:	Top
Dimension (mm):	700x700x300
Total gas power (Kcal/h):	9803
Total gas power (kW):	11,4
Cooking zone dimensions 1 (LxD mm):	696x520
Gas connection:	1/2"
Net volume (m3):	0,147
Packing dimensions (mm):	776x776x636
Gross weight (kg):	81
Gross volume (m3):	0,383

Features

Working top:	Made of AISI 304 stainless steel with a thickness of 10/10 mm
Material of plate:	Satin chrome
Knobs:	Knobs are made from a sturdy heat-resistant polymer blend and are equipped with liquid anti-leakage washer
Plate:	Satin chrome plate
Kit Gas:	Natural gas conversion kit 30/50 m/bar (tested with natural gas G20)

Gas griddle satin chrome plate 2/3 smooth 1/3 grooved. Top made of AISI 304 stainless steel thickness 8/10; covering in AISI 304 stainless steel thickness 8/10; external reinforcements made of anti-corrosion material (aluminised sheet metal); bottoms and internal parts in AISI 430 steel; flue cover in enamelled steel. satin chrome steel plate with high thermal conductivity for even temperature distribution. Equipped with two independent cooking zones. Provided with front groove, extractable drawer for grease collection and splash guard on three sides. Equipped with burners with pilot burners with piezoelectric ignition. Gas supplied by means of thermostatic safety valve with thermocouple. - 2 burners x 5.7 kW. Total power 11.4 kW. Plate dimensions 695x550 mm. Can be set up on "bridge system", on open cabinet or with doors.

Technical draw

G: Gas connection 1/2"